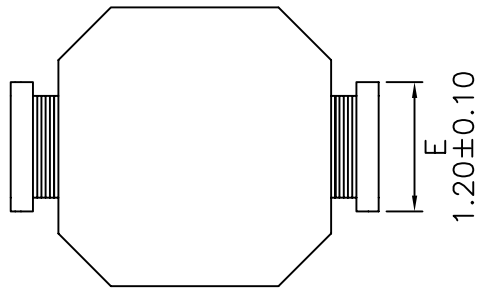
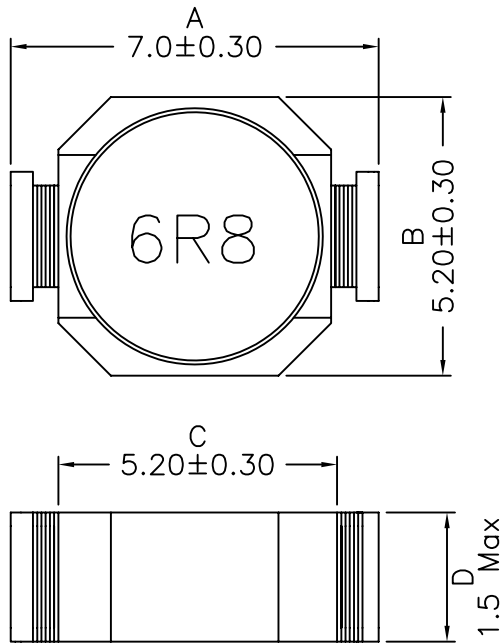
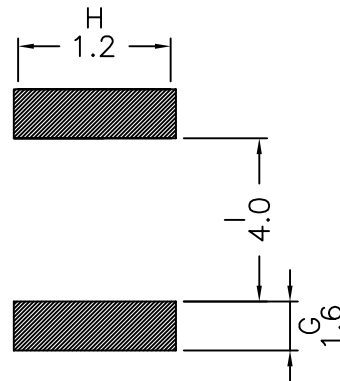


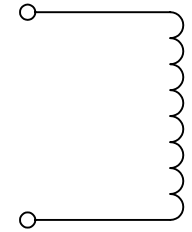
1. Dimensions:



(BOTTOM VIEW)



2. Schematic:



3. Electrical Specs:

INDUCTANCE: 6.80uH ±20% @100KHz 0.1V

DCR: 0.290±20% Ohms

IDC: 0.90A

INDUCTANCE DROP =10% Typ. AT RATED ISAT.

Notes:

1. Solderability: Leads shall meet MIL-STD-202, Method 208D for solderability.
2. Flammability: UL94V-0
3. ASTM oxygen index: > 28%
4. Temperature rating: 155°C. UL file E151556
5. Operating Temperature Range: -40°C to +85°C

PRELIMINARY

DOC REV: A/1

XFMRs Inc		Title: SMT POWER INDUCTORS	
UNLESS OTHERWISE SPECIFIED TOLERANCES: .xxx ±0.010/.xx ±0.25 Dimensions in INCH/MM		P/N: XFSIMDR1605-6R8M	REV A
	DWN.	Juan Mao	Jan-10-04
	CHK.	YK Liao	Jan-10-04
Scale 2.5:1 SHT 1 OF 1	APP.	BW	Jan-10-04

PROPRIETARY

Document is the property of XFMRs Group & is not allowed to be duplicated without authorization.